

# Bezel Installation Guide

Thank you for purchasing an AQUAVISION® Television.

## Safety

AQUAVISION® recommends installation to be carried out by a qualified installer. Please ensure that the latest wiring and safety regulations are adhered. If your AQUAVISION® is powered by a low voltage (12/24v DC) power supply unit, this should be positioned away from any water source. Please observe the safety zones in bathrooms and other wet areas. **IF IN DOUBT REFER TO A QUALIFIED PERSON. THIS APPLIANCE AND THE BEZEL MUST BE EARTHED**

## Positioning

Each AQUAVISION® model has specific viewing angles. Position the front bezel in order to view the picture clearly from all intended areas. Should there be any doubt, make the area safe and power up the LCD, positioning the screen until satisfied that the picture does not darken or disappear from view.

## Wall Mounting and Cable Feed

When the position has been defined, cut a hole in the wall to the cut-out dimensions specified for your AQUAVISION® model (Fig. 2).

Next, fit the two side mounting brackets into the sides of the hole following the guidance offered in either Fig. 3 or 4 depending on the wall structure.

Fig. 3 uses the brackets as a clamp between the front and back of a partition (stud) wall or in Fig. 4 the bezel brackets must be fixed to a solid wall using six screws (not provided).

Do not over tighten the screws holding the front bezel onto the brackets as this can distort the frame and may hinder installation of the glass on the final fix. When fitted, the unit should be able to withstand a potential pull force of 100Kg.

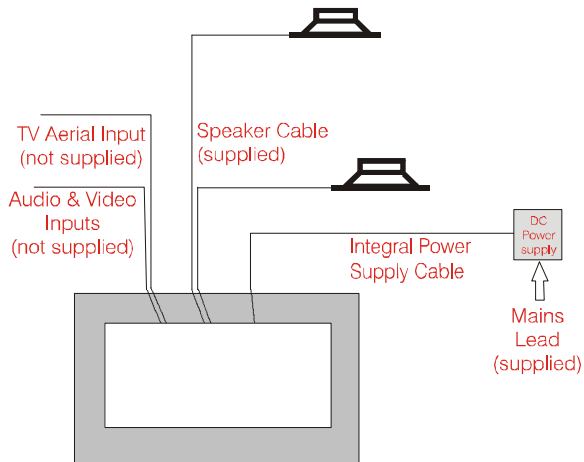
Run the cables to their positions as shown in Fig. 1, ensuring that there is enough cable slack to connect to the rear of the AQUAVISION® unit. Ensure that the cables are easily available and cannot fall back into the cavity, etc.

## Final Fix

The wall can now be tiled. You must take care not to bend or damage the inner flange of the bezel as this could potentially hinder any water-proofing qualities and thus void any guarantee. Note it is not advisable to use raised border tiles under the edge of the bezel frame. Once all tiles or similar have been fitted and the wall is in a finished state, loosen the bezel screws and apply a bead of silicon all around the rear of the flange (See Fig. 3 or 4). This prevents moisture from accessing the sides of the front bezel. Tighten the front panel ensuring the silicone fills any areas that could allow ingress of water. The bezel is now in position to accommodate the LCD unit and finally the glass panel. Instructions on fitting these components are supplied separately.

## CABLING SCHEMATIC

Fig 1



## BEZEL SIZES AND CUTOUTS

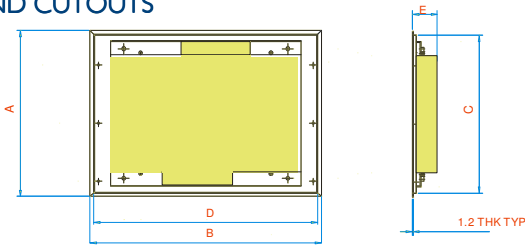


Fig 2

Model	Screen Size	A Overall Height	B Overall Width	C Cut-out Height	D Cut-out Width	E Maximum Depth
AVF 104-4 AVF 104-4B	264mm (10.4")	318mm (12.5")	328mm (12.9")	309mm (12.2")	319mm (12.5")	80mm 3.2"
AVF 17W-4	428mm 17"	371mm 14.6"	516mm 20.3"	362mm 14.3"	507mm 20"	100mm 4"
AVF 19-4	481mm 19"	371mm 14.6"	516mm 20.3"	362mm 14.3"	507mm 20"	90mm 3.6"
AVF20-4	508mm 20"	371mm 14.6"	516mm 20.3"	362mm 14.3"	507mm 20"	90mm 3.6"
AVF24-4	611mm 24"	492mm 19.4"	722mm 28.4"	483mm 18.9"	713mm 28"	90mm 3.6"
AVF 26-4	659mm 26"	492mm 19.4"	722mm 28.4"	483mm 18.9"	713mm 28"	115mm 4.6"
AVF 32-4	799mm 32"	571mm 22.5"	854mm 33.6"	562mm 22.1"	845mm 33.3"	120mm 4.7"
AVF40-4	1015mm 40"	692mm 27.2"	1049mm 41.3"	683mm 26.9"	1040mm 40.9"	120mm 4.7"
AVF46-4	1167mm 46"	725mm 28.5"	1172mm 46"	716mm 28.1"	1163mm 45.7"	120mm 4.7"

## INSTALLATION SCHEMATIC

Fig 3

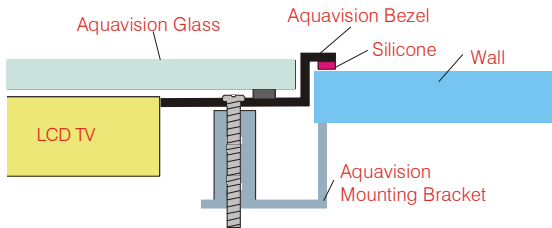
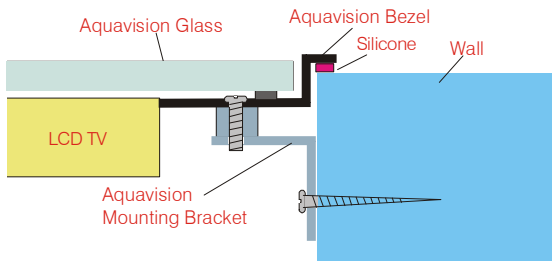


Fig 4



The specifications shown were accurate at time of going to press. **AQUAVISION'S**® policy of continuous development means some changes may take place. Please check with the office for confirmation. All screen pictures simulated. E. & O.E.

REV 4.0.7



## **GLASS INSTALLATION INSTRUCTIONS**

Once the main body of your AQUAVISION® has been installed, the glass cover needs to be fitted. The first and most important job is to clean the front of the screen and the back of the glass thoroughly. You will also need to ensure that the metal surround is clean and free from any plaster, grout, building residue, etc. as this will affect the AQUAVISION®'s waterproofing properties.

When cleaning the AQUAVISION®, never use an abrasive cleaner. The front of the screen has a plastic finish and therefore should be cleaned with a soft damp cloth and a mild, non abrasive glass cleaning agent.

Once you are sure that all areas are totally clean, gently place the glass cover in front of the LCD screen, making sure it is in alignment. The glass will then "pull" itself onto the screen via its magnets. Make sure you do not get your fingers trapped between the glass and the screen!

Check for any dirty marks, etc. and, if necessary, with the aid of a glass sucker, remove the front and re-clean. Do not try to lever the front off with a screwdriver!

Once you are happy with the cleanliness of the screen, and the glass is positioned correctly, power the television up to make sure that no cables have been dislodged during the cleaning process. If they have, remove the glass with the aid of a glass sucker and rectify your mistake.

Once you are satisfied that all connections are good, turn the unit off. You will now need to apply a clear line of silicone sealant to the joint between the sides of the front glass plate and the sides of the front bezel. This will inhibit any potential build up of soap/shampoo residue and mildew, etc. that may build up in this area. (The better this siliconging is, the less cleaning you will have to do later!) Make sure that the silicone is worked well into the joint evenly and that there are no gaps or bubbles, etc. Wipe away any excess silicone using a cloth with white spirit on it and visually check for any bubbles or gaps. Rectify as necessary and re-check. When you are completely happy you have a waterproof seal, leave 48 hours to dry before use. You should regularly check the soundness of this joint and rectify as necessary. It is the responsibility of the installer/customer to make sure that the AQUAVISION® unit is installed and sealed correctly; your guarantee will be void if any problems are caused through installation faults or poor sealing. After any maintenance, you will need to completely clean the old silicon off and re-seal as stated above.

Should you need to remove this panel at any time, you should run a sharp knife down the line of silicone around the glass and use a glass sucker or equivalent tool to remove the glass. You will need to completely remove all old silicone before replacing the glass and then re-apply the silicone as stated above.

It is the installer's responsibility to ensure that the AQUAVISION® unit is installed and sealed correctly as stated in these instructions. Your guarantee will be void if any problems are caused through installation faults or poor sealing. After any maintenance, you will need to completely clean the old silicon off and re seal as stated above.

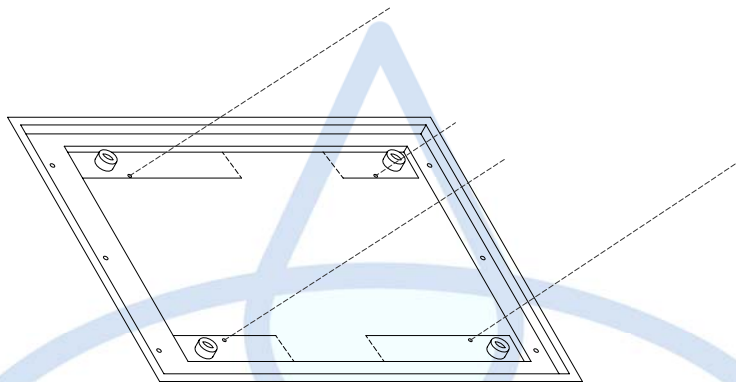


## LCD TV INSTALLATION INSTRUCTIONS

Once the main bezel of your AQUAVISION® has been installed, the LCD TV needs to be fitted. The first and most important job is to clean the front of the screen thoroughly.

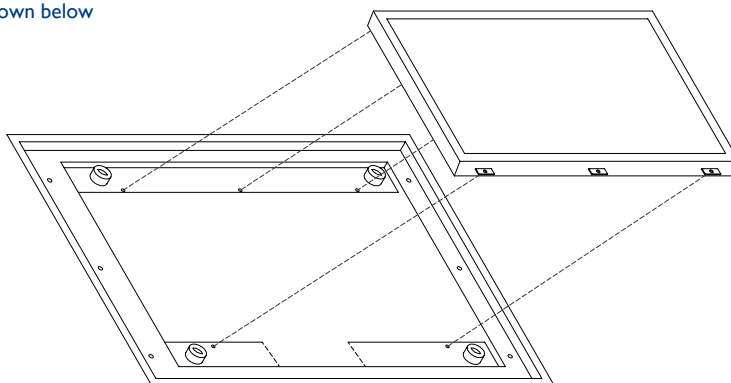
When cleaning the AQUAVISION® LCD, never use an abrasive cleaner. The front of the screen has a plastic finish and therefore should be cleaned with a soft damp cloth and a mild, non-abrasive glass cleaning agent.

Once you are satisfied that the screen is clean, remove the 4 screws from the bezel as shown in the diagram below.



Connect all relevant cables into the back of the LCD screen, making sure they are pushed fully home. Don't forget the speaker wires!

Place the LCD screen onto the bezel as shown below and replace the mounting screws.



You are now ready to install the glass cover. Please refer to the instructions supplied with the glass showing how this should be carried out.

It is the installer's responsibility to ensure that the AQUAVISION® unit is installed and sealed correctly as stated in these instructions. Your guarantee will be void if any problems are caused through installation faults or poor sealing. After any maintenance, you will need to completely clean the old silicon off and re-seal as stated above.